



US00D527867S

(12) **United States Design Patent**  
**Chase**

(10) **Patent No.:** **US D527,867 S**  
(45) **Date of Patent:** **\*\* Sep. 12, 2006**

(54) **GARMENT FOR TWO PEOPLE**

(76) Inventor: **Charles Robert Chase**, 10515 E. Mt. Spokane Park Dr., Mead, WA (US) 99021

(\*\*) Term: **14 Years**

(21) Appl. No.: **29/236,502**

(22) Filed: **Aug. 16, 2005**

(51) **LOC (8) Cl.** ..... **02-02**

(52) **U.S. Cl.** ..... **D2/826; D2/823; D2/824; D2/825**

(58) **Field of Classification Search** ..... **D2/717, D2/823-826, 828, 831, 840; 2/46, 84-88, 2/69, 69.5, 93, 202; 5/413 R; 135/96; 296/81**  
See application file for complete search history.

(56) **References Cited**

**U.S. PATENT DOCUMENTS**

484,945	A	10/1892	Aldrich et al.
645,773	A	3/1900	Wolfgang
674,818	A	5/1901	Walbert
715,027	A	12/1902	Crimins
RE12,170	E	11/1903	Crimins
778,949	A	1/1905	Burke
1,187,183	A	6/1916	Scott

(Continued)

**FOREIGN PATENT DOCUMENTS**

FR	0019201	A1	*	11/1980
FR	2686492	A1	*	7/1993
GB	3019961		*	2/2005

**OTHER PUBLICATIONS**

IndoNetwork. [www.indonetwork.co.id/member/116631\\_poncokepala2.gif](http://www.indonetwork.co.id/member/116631_poncokepala2.gif). Copyright 2006. Poncho for Two, Item A: center of page.\*

Steve Whittlesey. [www.stevewhittlesey.com/gallery/pictures/personalcape.html](http://www.stevewhittlesey.com/gallery/pictures/personalcape.html). Site visited Feb 2006. Two Person Cape, Item B: center of page.\*

*Primary Examiner*—Celia A. Murphy  
*Assistant Examiner*—R. Johnson  
(74) *Attorney, Agent, or Firm*—Robert B. Hughes; Hughes Law Firm, PLLC

(57) **CLAIM**

The ornamental design for a garment for two people, as shown and described.

**DESCRIPTION**

FIG. 1 is a perspective view of a garment for two people showing my new design;

FIG. 2 is an isometric view showing the main cover portion of the garment in a flat configuration, and with the two head cover portions of the garment being raised upwardly from the main cover portion;

FIG. 3 is a top plan view showing the garment in the same configuration as shown in FIG. 2;

FIG. 4 is a front elevational view of the garment in the configuration shown in FIGS. 2 and 3;

FIG. 5 is a rear elevational view of the garment in the same configuration as shown in FIGS. 2 and 3;

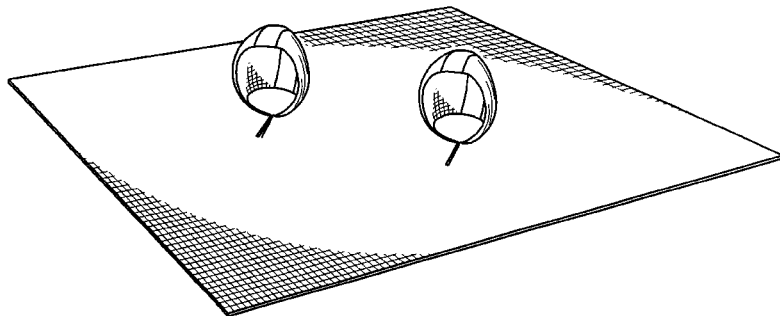
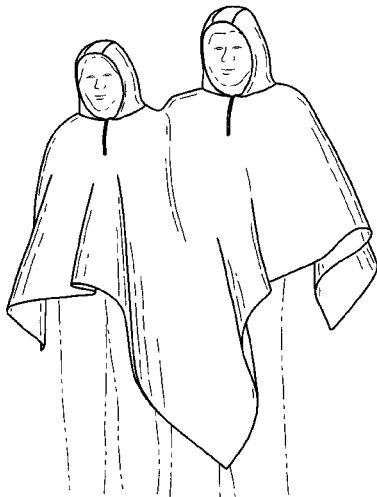
FIG. 6 is a right side elevational view thereof;

FIG. 7 is a left side elevational view thereof; and,

FIG. 8 is a bottom plan view of the garment in the position of FIG. 2.

The broken line showing portions of the human form, in FIG. 1, forms no part of the claimed design.

**1 Claim, 3 Drawing Sheets**



US D527,867 S

Page 2

U.S. PATENT DOCUMENTS

1,193,443	A	8/1916	Swan	3,523,302	A	*	8/1970	Rabedaux	.....	5/413	R
1,272,942	A	7/1918	Goldstein	3,665,518	A		5/1972	Leadford			
1,767,842	A	6/1930	Gehrke	3,698,014	A	*	10/1972	Little et al.	.....	2/84	
1,802,807	A	4/1931	Davis	4,370,755	A	*	2/1983	Crumby	.....	2/88	
1,895,911	A	1/1933	Bosson	4,535,479	A	*	8/1985	Paula	.....	2/69.5	
1,899,327	A	2/1933	Hawkins	4,598,725	A	*	7/1986	Brewer	.....	135/95	
1,901,223	A	3/1933	Bush	D294,191	S		2/1988	Paula			
2,302,844	A	11/1942	Ebbott	D381,788	S	*	8/1997	Griggs	.....	D2/717	
D135,632	S	* 5/1943	Renke	5,657,489	A		8/1997	Ponstein			
2,636,176	A	* 4/1953	Ross	D410,382	S	*	6/1999	Therriault	.....	D2/825	
3,079,611	A	3/1963	Boryszewski	D415,603	S		10/1999	Wampler			
3,381,306	A	5/1968	Innes	6,341,379	B1	*	1/2002	Kokus	.....	2/89	
3,443,066	A	5/1969	Weibel	6,760,921	B1	*	7/2004	Simmons	.....	2/84	
3,522,612	A	8/1970	Palmer	2005/0081276	A1	*	4/2005	Reynolds	.....	2/69	

\* cited by examiner

FIG. 1



FIG. 2

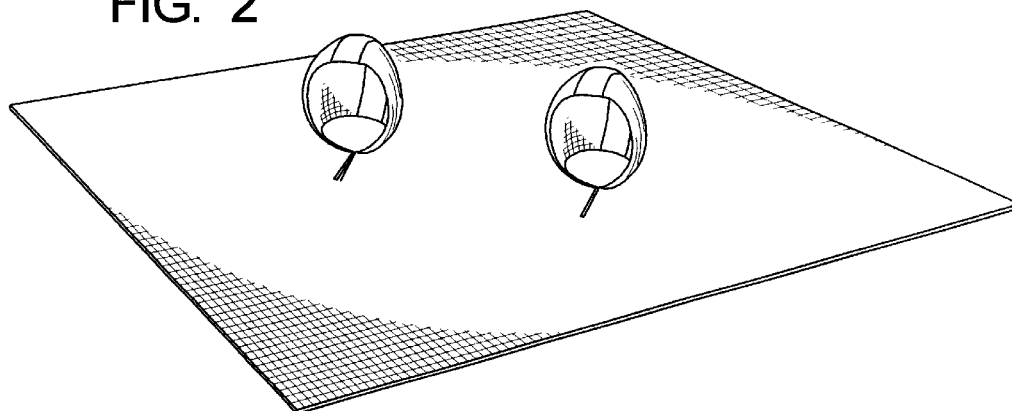


FIG. 3

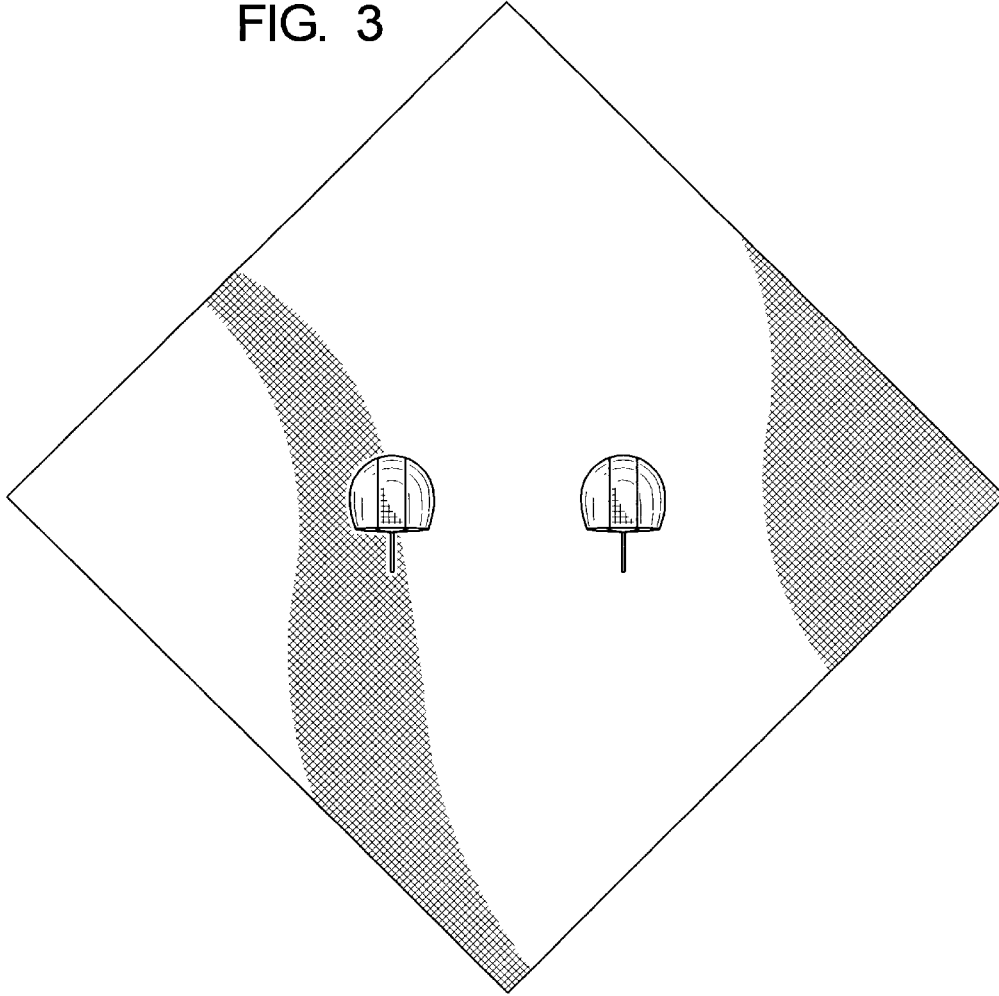


FIG. 4



FIG. 5



FIG. 6



FIG. 7

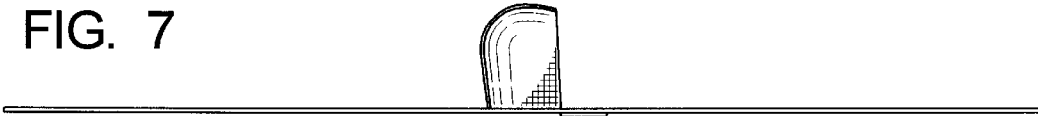


FIG. 8

