



US00D534814S

(12) **United States Design Patent** (10) **Patent No.:** **US D534,814 S**
Johnston et al. (45) **Date of Patent:** **** Jan. 9, 2007**

(54) **HAIR REMOVAL PRODUCT APPLICATION**

(75) Inventors: **Ian William Bremner Johnston**,
London (GB); **Alessandro Umberto**
Guido Confalonieri, Milan (IT)

(73) Assignee: **Parissa Laboratories, Inc.**, N.
Vancouver (CA)

(**) Term: **14 Years**

(21) Appl. No.: **29/243,977**

(22) Filed: **Dec. 2, 2005**

(51) **LOC (8) Cl.** **09-01**

(52) **U.S. Cl.** **D9/726**

(58) **Field of Classification Search** D9/723,
D9/726, 727, 728, 729; D3/205; D28/4, 7,
D28/9, 10, 44, 44.1, 44.2, 45, 51, 99; 401/208,
401/213, 219; 206/229; 221/135, 208, 282;
222/92, 101, 105, 173, 513, 630

See application file for complete search history.

(56) **References Cited**

U.S. PATENT DOCUMENTS

D176,406 S	*	12/1955	Ernest	D28/51
D179,245 S	*	11/1956	Ernest	D28/51
D252,794 S	*	9/1979	Lucas	D9/726
4,168,128 A	*	9/1979	Fillmore et al.	401/213
D342,341 S	*	12/1993	Gentile et al.	D28/7
D345,501 S	*	3/1994	Prince	D9/726
D484,794 S	*	1/2004	Geardino et al.	D9/726

* cited by examiner

Primary Examiner—Mitchell Siegel

Assistant Examiner—Shanda C. Hill

(74) *Attorney, Agent, or Firm*—Michael F. Hughes; Hughes
Law Firm, PLLC

(57) **CLAIM**

The ornamental design for a hair removal product applica-
tion, as shown and described.

DESCRIPTION

FIG. 1 is a front view of a hair removal product application
showing our new design;

FIG. 2 is a top view thereof;

FIG. 3 is a bottom view thereof;

FIG. 4 is a side view thereof;

FIG. 5 is a rear view thereof;

FIG. 6 is an oppsite side view thereof;

FIG. 7 is a front view of FIG. 1 with the lid removed;

FIG. 8 is a top view of FIG. 7;

FIG. 9 is a bottom view of FIG. 7;

FIG. 10 is a side view of FIG. 7;

FIG. 11 is a rear view thereof FIG. 7;

FIG. 12 is an opposite side view of FIG. 7;

FIG. 13 is a front view of the lid of the hair removal product
application shown in FIG. 1;

FIG. 14 is a top view of FIG. 13;

FIG. 15 is a bottom view of FIG. 13;

FIG. 16 is a side view of FIG. 13;

FIG. 17 is a rear view of FIG. 13; and,

FIG. 18 is an opposite side view of FIG. 7.

1 Claim, 6 Drawing Sheets

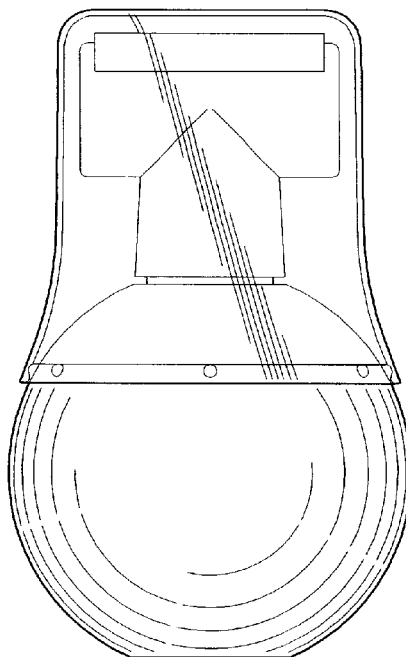


FIG. 1

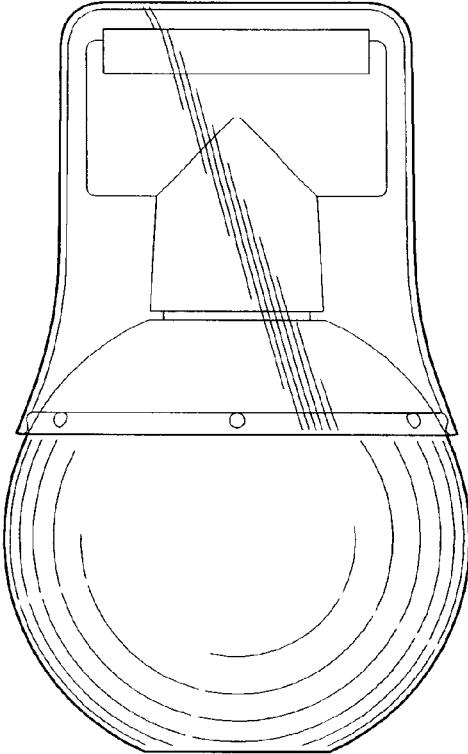


FIG. 2

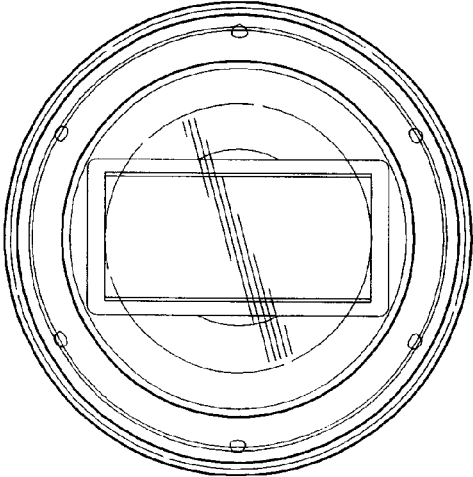


FIG. 3

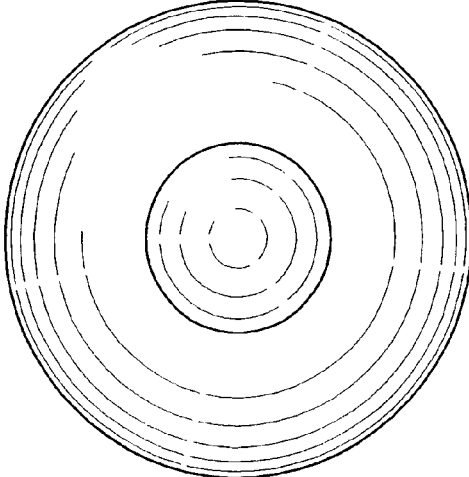


FIG. 4

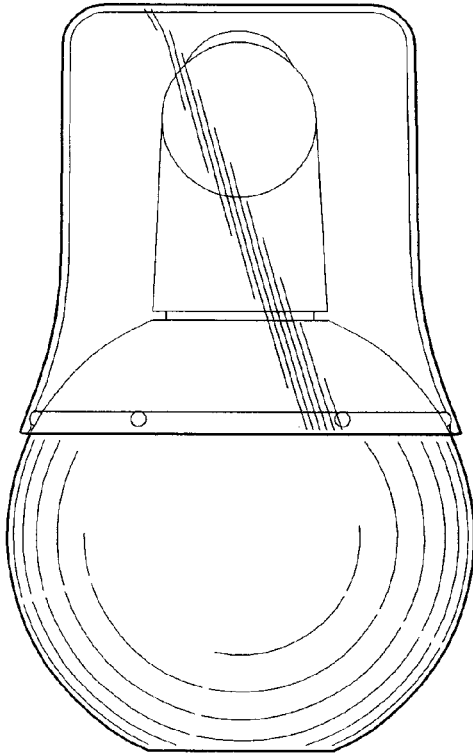


FIG. 5

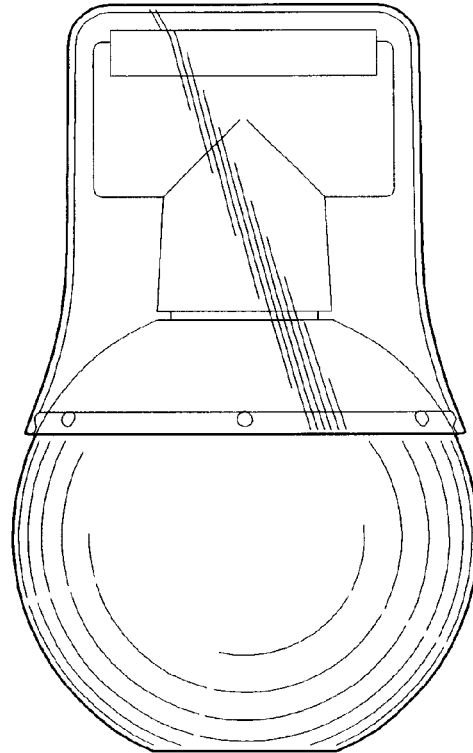


FIG. 6

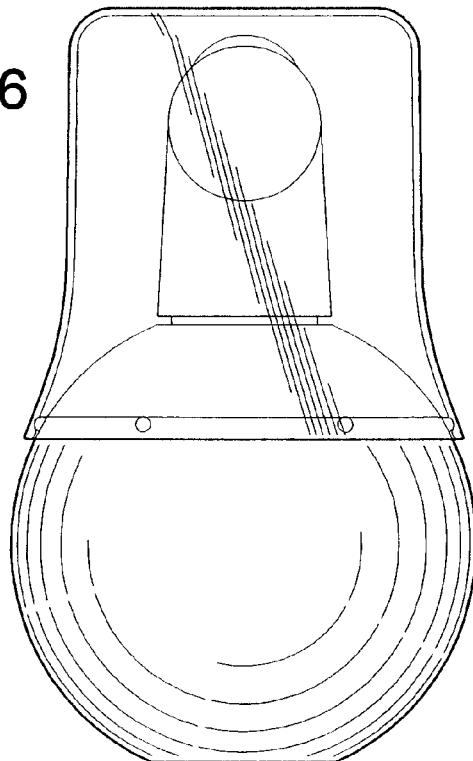


FIG. 7

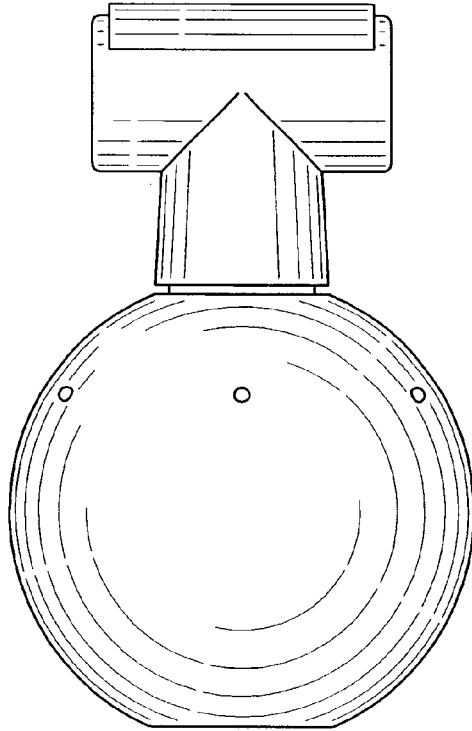


FIG. 8

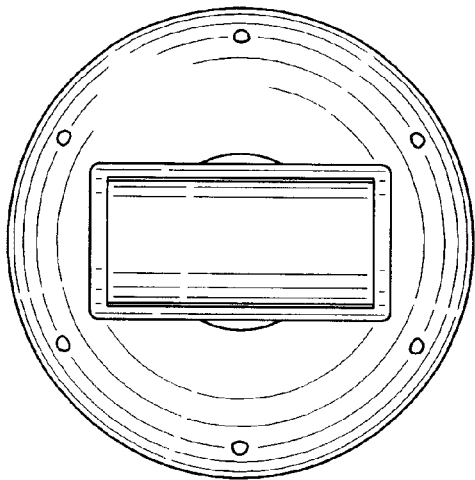


FIG. 9

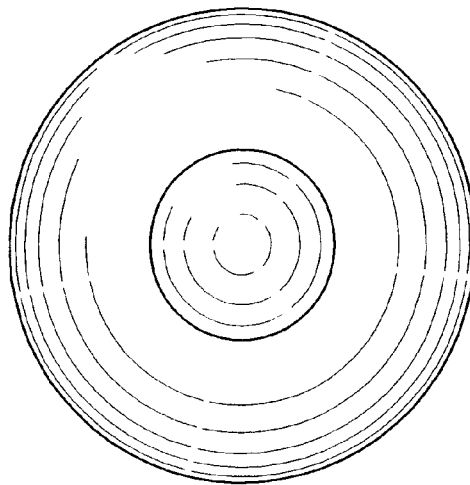


FIG. 10

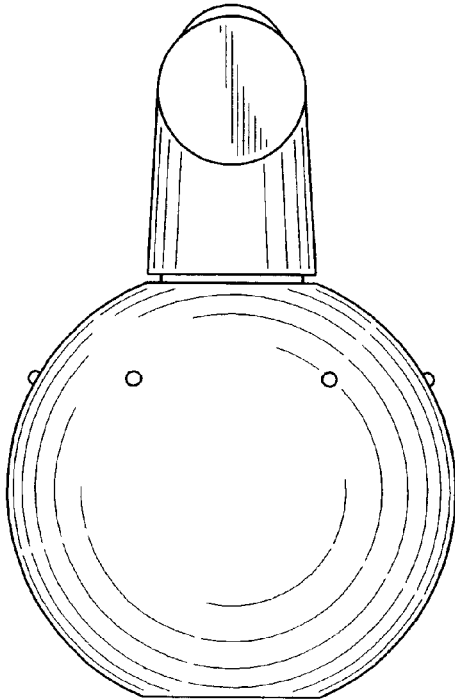


FIG. 11

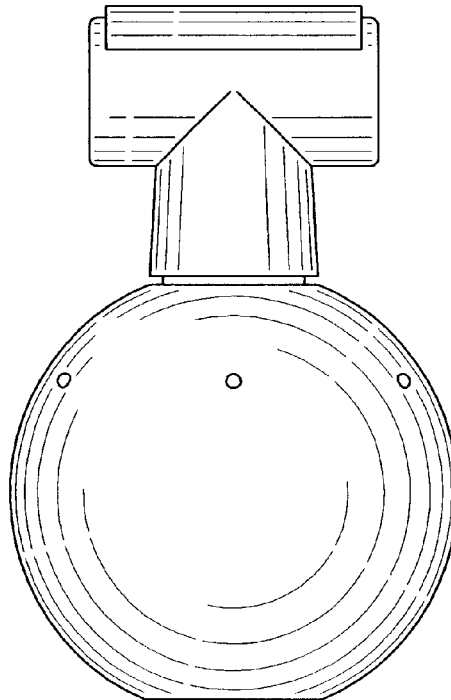


FIG. 12

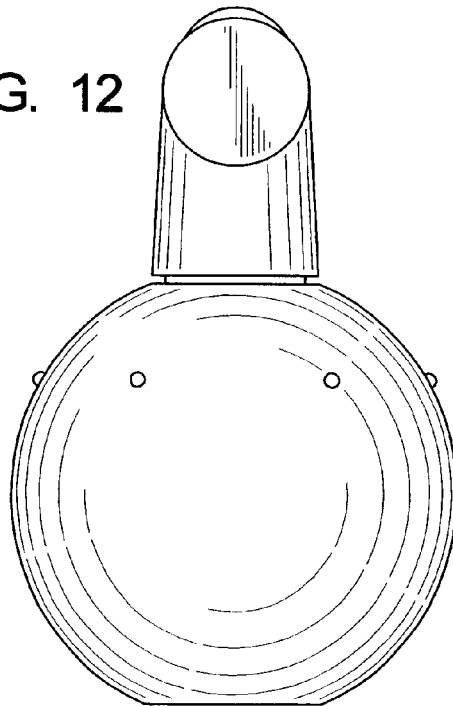


FIG. 13

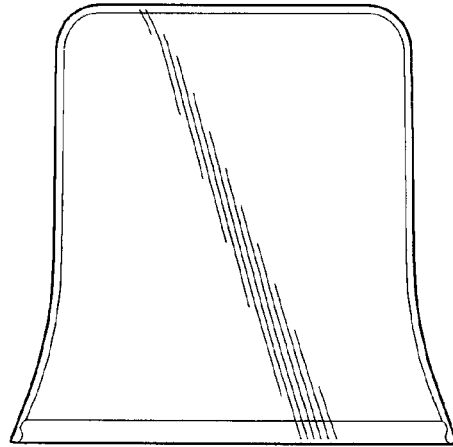


FIG. 14

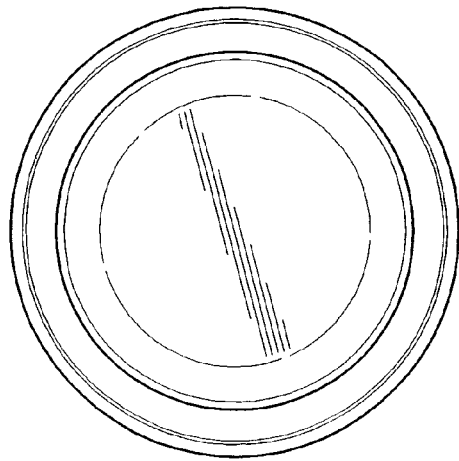


FIG. 15

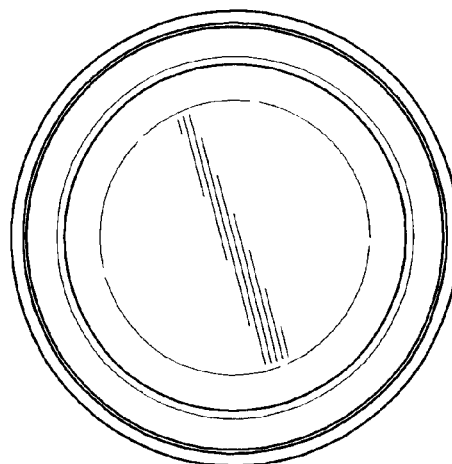


FIG. 16

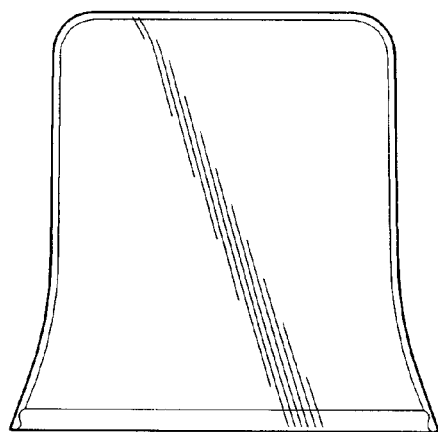


FIG. 17

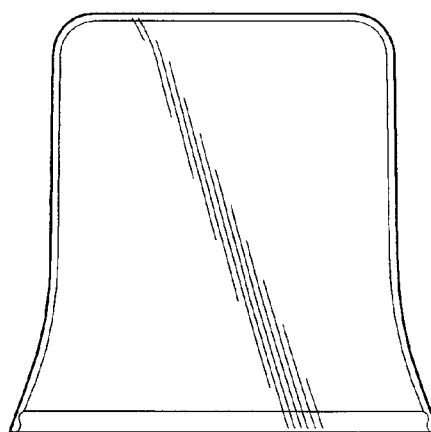


FIG. 18

