



US00D547126S

(12) **United States Design Patent** (10) **Patent No.:** **US D547,126 S**
Levine et al. (45) **Date of Patent:** **** Jul. 24, 2007**

(54) **COCKTAIL TRAY WITH STEMMED GLASS HOLDER**

(76) Inventors: **Lenita J. Levine**, 550 St. James Road West, North Vancouver, British Columbia (CA) V7N 2P7; **Penelope Reiner**, 3951 Woodbury Street, North Vancouver (CA) V7N 2P7

(**) Term: **14 Years**

(21) Appl. No.: **29/236,084**

(22) Filed: **Aug. 10, 2005**

(51) **LOC (8) Cl.** **07-01**

(52) **U.S. Cl.** **D7/553.5; 7/554.3; 7/553.4; 7/549; 7/587**

(58) **Field of Classification Search** D7/500, D7/505, 541-543, 546, 549, 550.1, 552, 552.2, D7/553.1-553.5, 553.7, 553.8, 554.4, 555, D7/557, 586, 587, 620, 701, 705, 707, 708.1; D6/406.3, 601, 406.1-406.6; D9/737, 741; 206/486, 557, 558, 561, 562, 564; 211/74; 108/25; 99/357; 220/23.83, 23.86, 500, 220/506, 574, 575

See application file for complete search history.

(56) **References Cited**

U.S. PATENT DOCUMENTS

D97,108 S *	10/1935	Worthington et al.	D7/587
D301,820 S *	6/1989	Wasserman	D7/553.5
D308,461 S	6/1990	Hosea	
4,966,297 A *	10/1990	Doty	220/23.83
D322,197 S *	12/1991	Sherlin	D7/549
5,114,038 A	5/1992	Laumann geb. Quensen	
D326,588 S	6/1992	Meisel	
D342,421 S	12/1993	DuBow	
5,390,798 A	2/1995	Yanuzzi	
D359,885 S	7/1995	Yanuzzi	
D364,072 S	11/1995	Keable	

D373,052 S	8/1996	Di Biase	
D376,297 S	12/1996	Jacobson	
D392,156 S	3/1998	Michael	
D393,981 S	5/1998	Lipkowitz	
5,769,264 A	6/1998	Lipkowitz	
D395,791 S	7/1998	McArdle	
D398,481 S	9/1998	Brown	
5,971,139 A	10/1999	Bradley	
D415,930 S	11/1999	Schmidt	
D429,604 S *	8/2000	Maniaci	D7/549
D442,830 S *	5/2001	Raucci	D7/553.5
6,264,026 B1	7/2001	Bradley	
D455,316 S	4/2002	Carpenter	
D473,757 S	4/2003	Schwartz	
D501,761 S *	2/2005	Glander et al.	D7/553.5
D509,104 S *	9/2005	Price	D7/553.4

* cited by examiner

Primary Examiner—Philip S. Hyder

Assistant Examiner—Cynthia Underwood

(74) *Attorney, Agent, or Firm*—Robert B. Hughes; Hughes Law Firm, PLLC

(57) **CLAIM**

We claim the ornamental design for a cocktail tray with stemmed glass holder, as shown and described.

DESCRIPTION

FIG. 1 is a perspective view showing the top and left side of the cocktail tray with stemmed glass holder.

FIG. 2 is a top plan view of FIG. 1;

FIG. 3 is a front elevational view of FIG. 1

FIG. 4 is a rear elevational view of FIG. 1

FIG. 5 is a right side elevational view of FIG. 1.

FIG. 6 is a left side elevational view of FIG. 1; and,

FIG. 7 is a bottom plan view of FIG. 1.

1 Claim, 3 Drawing Sheets

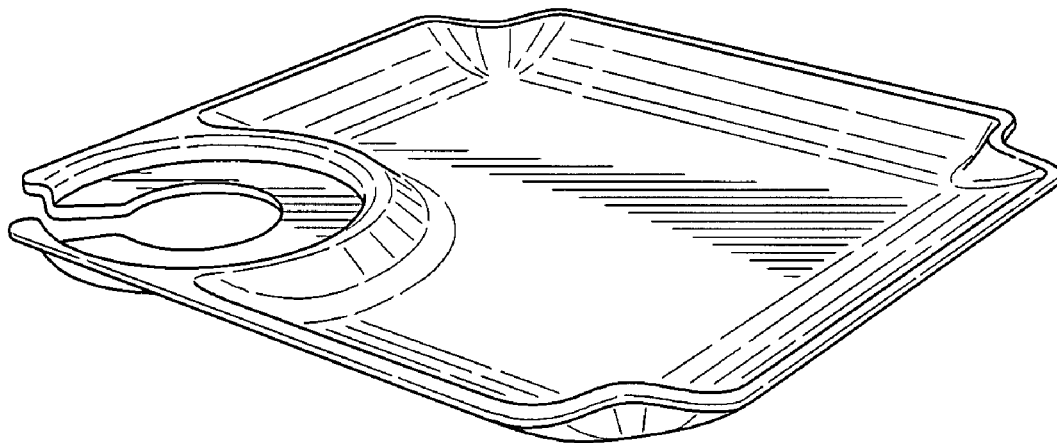


FIG. 1

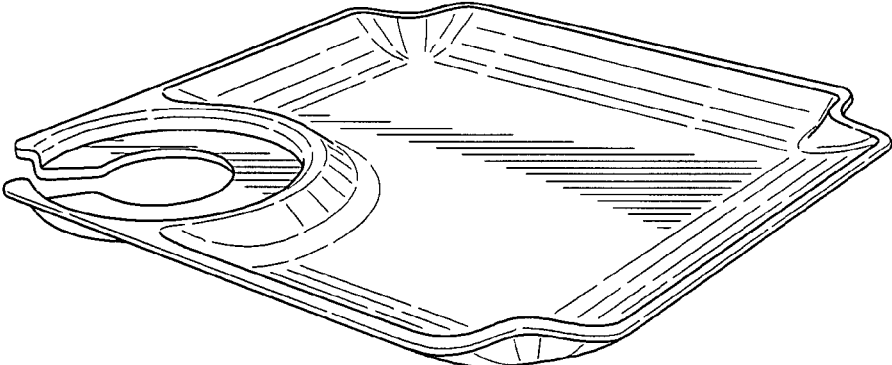


FIG. 2

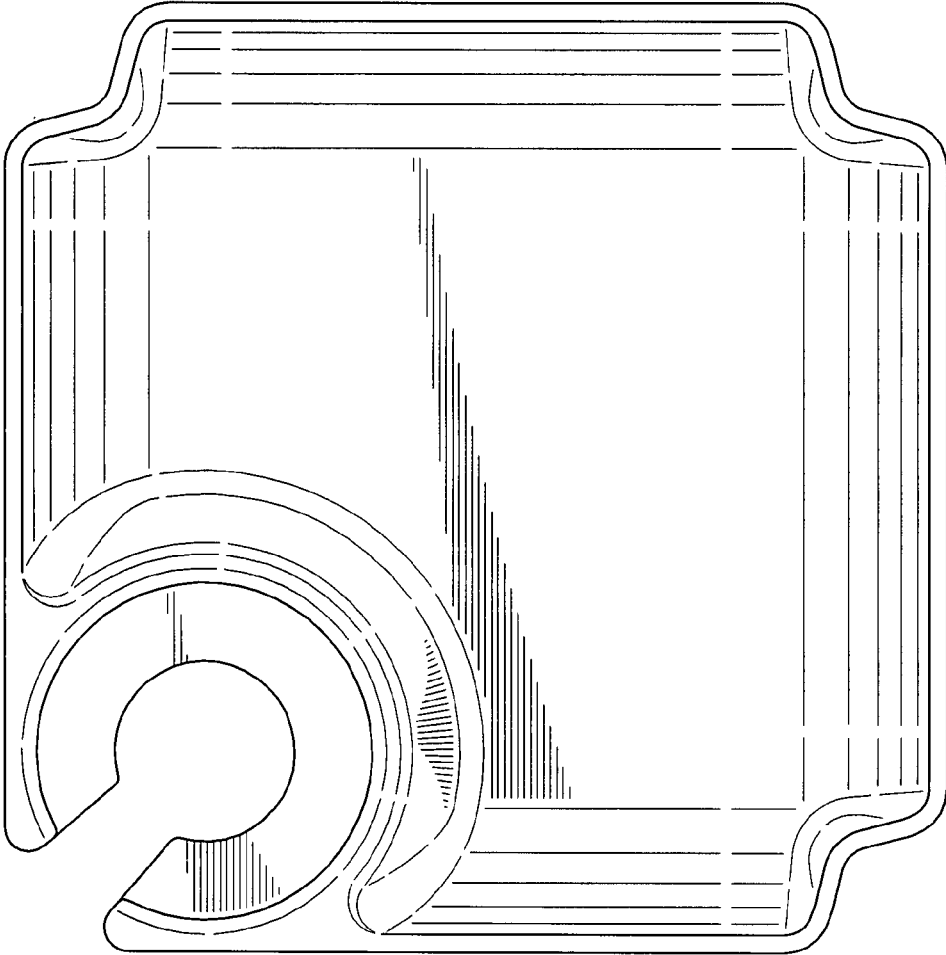


FIG. 3

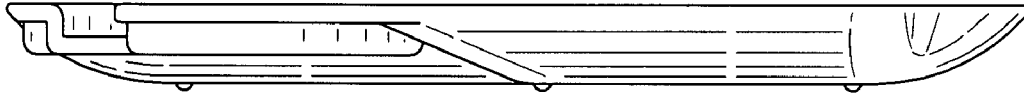


FIG. 4

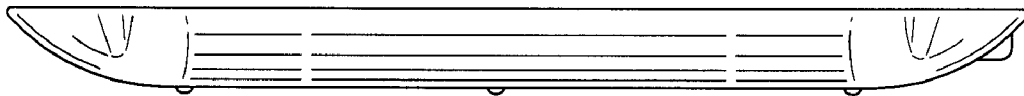


FIG. 5

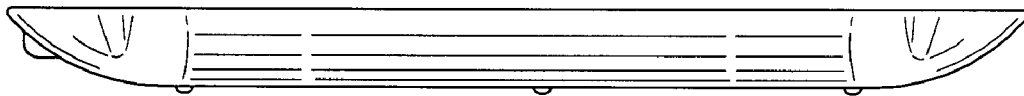


FIG. 6

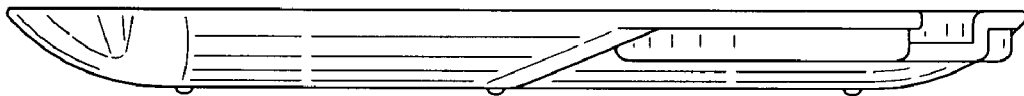


FIG. 7

